

All Rights Reserved

Materials and specifications are subject to change without notice.
Featured machines in photos may include additional equipment. See your XCMG dealer for available options.



Hydraulic Excavators XE27U-E



XCMG European Sales and Services GmbH

Address: Europark Fichtenhain B 4,47807 Krefeld, Deutschland
Tel: +49 (0) 2151 8206 890
Fax: +49 (0) 2151 8206 899
E-Mail: info@xcmg-ess.de

XUZHOU CONSTRUCTION MACHINERY GROUP IMP. & EXP. CO., LTD

Address: No.1, Tuolanshan Road, Xuzhou Economic Developing Zone, Jiangsu, China 221004
Tel: + 86(0) 516 8773 9703
Fax: + 86(0) 516 8773 9230
E-Mail: europa@xcmg.com

www.xcmg.com

Maximum Power: 20 kW
Operating Weight: 2780 kg
Standard. Bucket Capacity: 0.06 m³





INTRODUCTION OF XCMG

XCMG, as a leading enterprise valued of 100 billion RMB, with the largest scale, the best technology level, the largest export volume, and high competitiveness and influence in China's construction machinery industry, has been occupying the first place in China's construction machinery industry for decades, and it now ranks the third in the world industry and the 395th among the world's top 500 brands.

The main products by XCMG consists of 16 categories of equipment such as hoisting machinery, excavation machinery, concrete machinery, mining machinery, earth-moving machinery and road machinery, etc., as well as three categories of key components such as hydraulic system, transmission system and electric control system. Among above-mentioned, hoisting machinery ranks first in the world, and package solution of road construction and maintenance machinery, piling machinery and concrete machinery are among the first-class bloc in the world.

XCMG has accumulated more than 8000 approved patents, including more than 1900 invention patents and more than 130 PCT international patents. Entities of R&D centers, manufacturing plants or KD factories are in operation in more than 10 countries such as Germany, the United States, Brazil and India. XCMG has also acquired three European enterprises including Schwing in Germany. The Brazil manufacturing plant, with an investment of 350 million dollars to build up factories on a bare ground, has become a model of economic cooperation between China and Brazil. At present, XCMG products are exported to 187 countries and regions, covering 97% of the countries along "The Belt and Road" area. In export business to 35 countries, XCMG's proportion ranks NO. 1, with a steady first place within Chinese industry in terms of annual export volume and overseas income.

XCMG IN EUROPE

Since 1990s when XCMG was already a known brand within the industry in Europe, XCMG has been one of the major international manufacturers supplying products and service across the Continent. With its rapid development in recent years, XCMG is gradually building up an all-round network including: R&D department; local distribution, supply chain management and an integrated customer services and training center.

At present, XCMG has 3 subsidiaries in operation, with more than 100 multinational employees in Europe:

-ERC XCMG European research center GmbH

-EPC XCMG European purchasing center GmbH

-ESS XCMG European sales and services GmbH

XCMG is also holding a resource of more than 100 branches by local dealers throughout the Europe, generating a whole value chain that is serving the entire European market, including sales, service, financing, used equipment recycle, etc.

We actively and continuously implement our globalization strategy. Our first-class international team has many years of professional experience and excellent cross-cultural management capability.

With a strong combination of expertise and practical experience in a multicultural context, we create real value and provide a high level of return on investment to our European customers.



► **ECOLOGICAL AND ECONOMICAL:**

Pure electric powered, lower noise and no pollution
Short charging period, long working time

► **MULTIPLE APPLICATIONS:**

Compact short tail design and boom swing function can achieve flexible operation in confined space.
Multiple additional configurations to adapt to a variety of operating requirements

► **Made for Easy Transportation**

With a set of bucket and a trailer, our XE27U-E still weights less than 3.5 tons. The easy accessible tie-down points make it easy to transport between your jobsites

► **Equipped with AUX1 & AUX2 and Quick Coupler Lines**

With the multiple programmable 2-way proportional auxiliary lines and quick-coupler piping, the XE27U-E meets almost all of your attachment needs

► **Boom and Arm Safety Valves Equipped as Standard**

Equipped with boom and arm cylinder safety valves, and a dozer holding valve as standard, ensuring digging and lifting all your materials in a safe way.

► **CONVENIENT MAINTENANCE:**

The XE27U-E was developed with particular attention to ease of service access.
With a single access point for the daily maintenance of all main components

► **Audible comfort:**

The noise emissions are reduced significantly compared to similar excavators

► **SAFE AND DURABLE:**

Integrated body design
Strengthened structure and stress dispersing
Upgrade undercarriage to improve load bearing performance

► **LARGE OPERATOR ENVIRONMENT WITH ERGONOMIC CONTROL LAYOUT:**

The XE27U-E provides an uncompromised operator environment together with excellent visibility, provides unmatched operator comfort and safety. The ergonomic control layout and adjustable wrist rests are engineered to reduce operator fatigue and increase productivity

► **EXCELLENT AFTER-SALES SERVICE:**

Global after-sales service system and quick response mechanism
Real-time technical consultation and maintenance



Excellent Performance and Energy Economy

► Power system

It is battery-powered, zero-emission and pollution-free. Compared with the traditional fuel-type engine, it is more environmental friendly and economical, which can save users a lot of cost. At the same time, the use of electric drives is also an important sign of innovation in the industry.



► Multiple applications

Compact short tail design with boom swing function ensures that the machine can work in narrow working conditions.

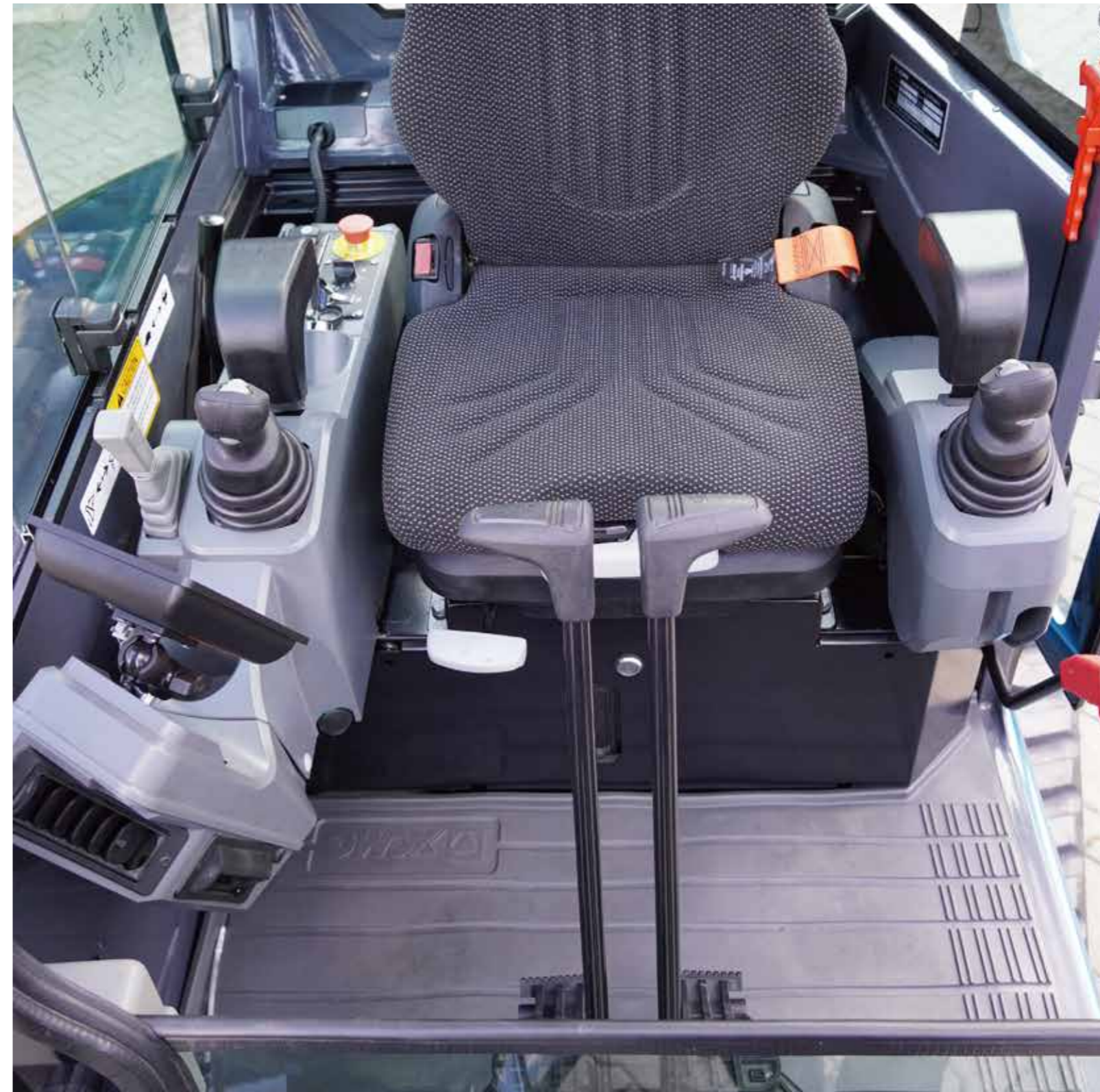
The left and right boom swing angle is respectively 75° and 55°, it can realize complex operation together with upper structure slewing to ensure that the digging is parallel with wall surface in narrow space through the cooperation of upper structure slewing so as to easily deal with various operating conditions.



Operational Comfort

► Large Operator Environment with Ergonomic Control Layout

Equipped with a large space cab, with heating and fresh air conditioning, seat belts, cup holders and backup power, etc., which greatly improves the comfort and convenience of operation. Visual dashboard monitors the whole machine status in real-time, it can intelligently diagnose machine failure and prompt maintenance and refill information, which largely shortens the time spent on maintenance.



Easy Access for Maintenance

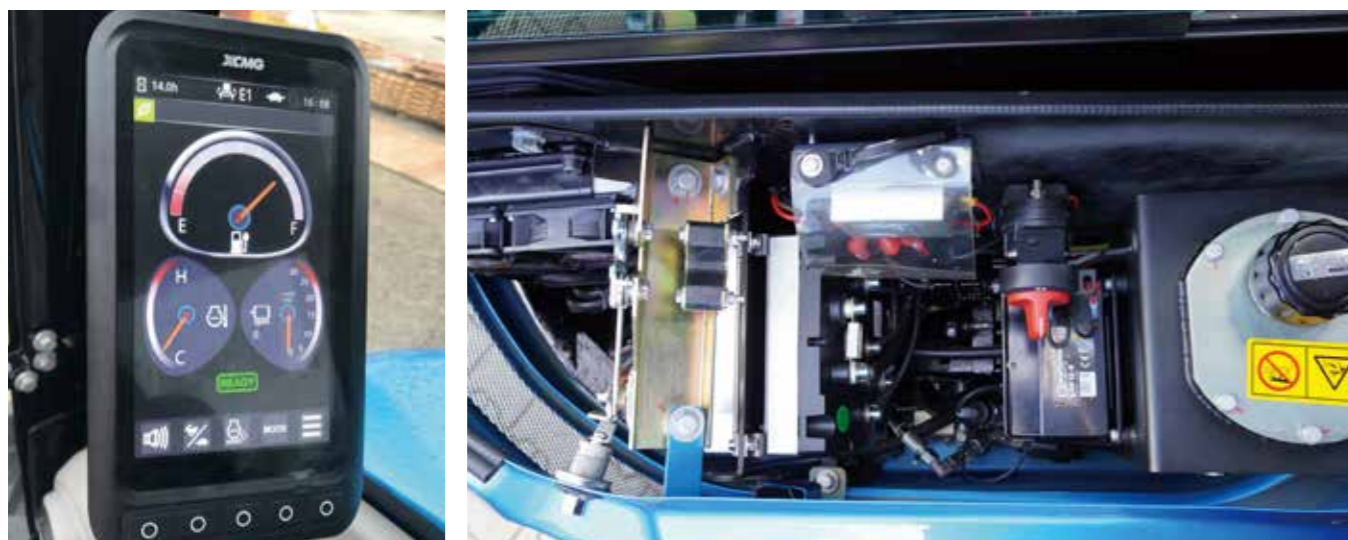
Large area of toughened glasses with high strength are equipped on the cab, which ensures the strength meanwhile improves vision, headlamp is equipped on the roof of the cab to ensure accurate and safe operation at night.

Strengthened boom and arm, adjusted structure and stress dispersing will greatly improve service life. With X-frame undercarriage structure, reinforced plate and enlarged box cross section, its bearing performance is greatly improved.



► Maintenance and service

The XE27U-E is designed for lower maintenance costs with longer service intervals - resulting in more machine availability on-site.



Technical Specifications

■ Power System

	XE27U-E
Electric Motor Power	20 kW
Maximum Main Pump Speed	3200 rpm
Maximum Motor Torque	68 N.m
Voltage Platform	48 V
Battery capacity	22 kWh
Charging time on-board 220V type 2	Up to 3.5 h
Charging time Fast 380V type CCS	Up to 1.5 h
Additional Battery	12 V

■ Hydraulic system

	XE27U-E
Main Pump	/
Rated Flow of Main Pump	82.8 L/min
Main Safety Valve Pressure	24.3 MPa
Travel System Pressure	19 MPa
Pilot System Pressure	3.5 MPa

■ Main performance

	XE27U-E
Gradeability	≤30°
Ground Pressure	26.4 kPa
Bucket Digging Force	23 kN
Arm Digging Force	14 kN
Maximum Tractive Force	29.7 kN

■ Swing Motor System

	XE27U-E
Electric Motor Power	6.2 kW
Swing Speed	10 rpm

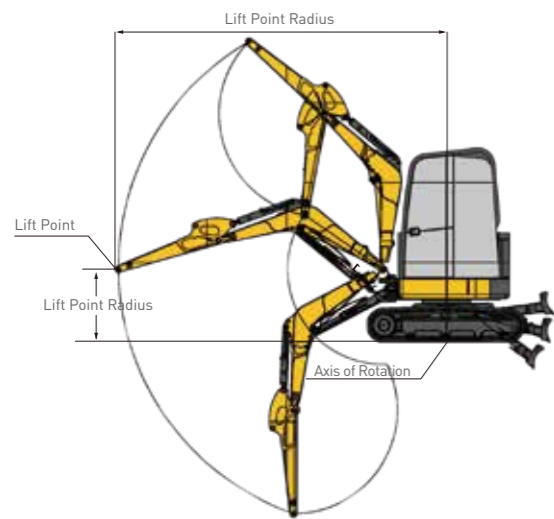
■ Oil Capacity

	XE27U-E
Hydraulic Tank Capacity	22 L

XE27U-E

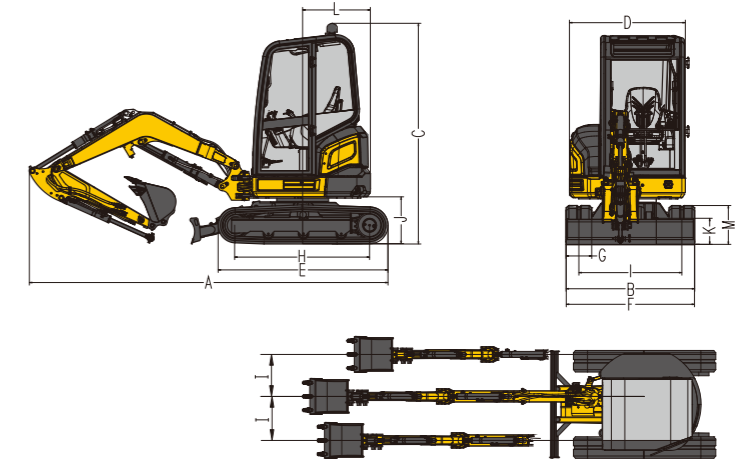
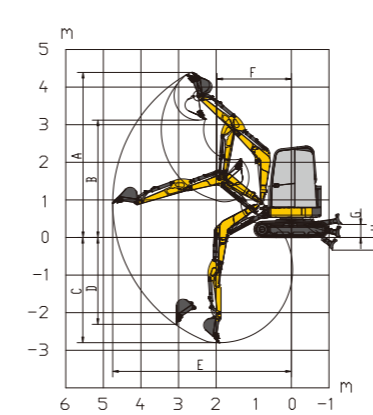
With cab standard arm (1300 mm) without bucket

Lift Point Height	Over front blade up/down				Over Side				Max Radius (mm)		
	Lift At Max Radius (kg)	1.0 m	2.0 m	3.0 m	4.0 m	Lift At Max Radius (kg)	1.0 m	2.0 m		3.0 m	4.0 m
3 m	402			*435		290			360		3373
2 m	310			*479		220			350		3928
1 m	282		847	455	294	198		525	321	207	4105
Ground	290		791	430		203		525	298		3969
-1 m	350	*1229	794	425		244	*1229	527	294		3471
-2 m	*475		*596			465		562			2275



: Over front
 : Over side or 360°

1. The lifting capacity is based on the ISO10567 standard.
- 2.* = The maximum lifting capacity is limited by the hydraulic capacity of the machine.
3. The lifting capacity does not exceed 87 % of the hydraulic capacity or 75 % of the tipping load with the machine on level and firm ground.
4. The operator should be familiar with the machines operating- and maintenance manual. Local regulations concerning the safe operation of machinery must be followed at all times.
5. The lift diagrams only covers machines that are originally built by XCMG; without lifting chains and any other lifting equipment.
6. When the excavator is used to lift or handle materials, it must comply with local regulations.



Working range

		XE27U-E
A	Maximum digging height	4390 mm
B	Maximum dumping height	3120 mm
C	Maximum digging depth	2800 mm
D	Maximum vertical wall digging depth	2310 mm
E	Maximum digging radius	4750 mm
F	Minimum swing radius	1980 mm
G	Maximum dozer lifting height	300 mm
H	Maximum dozer cutting depth	330 mm
I	Boom deflection distance (left/right)	610/585 mm

Dimensions

		XE27U-E
A	Overall length	4190 mm
B	Overall width	1500 mm
C	Overall height	2580 mm
D	Width of platform	1350 mm
E	Length of crawler	1980 mm
F	Width of chassis	1500 mm
G	Width of crawler	300 mm
H	Distance between tumblers	1560 mm
I	Track gauge	1200 mm
J	Counterweight clearance	535 mm
K	Minimum ground clearance	290 mm
L	Minimum tail swing radius	790 mm
M	Track height	457 mm



Optimum Services, XCMG Guaranteed



XCMG-approved attachments



Genuine parts



Extension of warranty



Financial solutions



Maintenance contract



Telematics

Professional Integrated Complete Solutions

The XCMG group has built a strong reputation based on the quality, reliability and durability of its construction machinery. What's more, XCMG has gradually established a service network to constantly provide its local integrated and highly efficient complete solutions for all customers.



Full Range of Services Ready for you

In order to respond to your needs as fast as possible, XCMG experts are on their way to your job site from one of our facilities near you. Full range of services are available in order to reduce your total cost of ownership and increase your revenue.

XCMG Global Spare Parts System



Mobile cranes



Excavators



Aerial work platforms



Wheel loaders



Road machinery

